



30902 C38 • PO Box 932
Le Mars, Iowa 51031

1-800-779-8099
www.sidedump.com

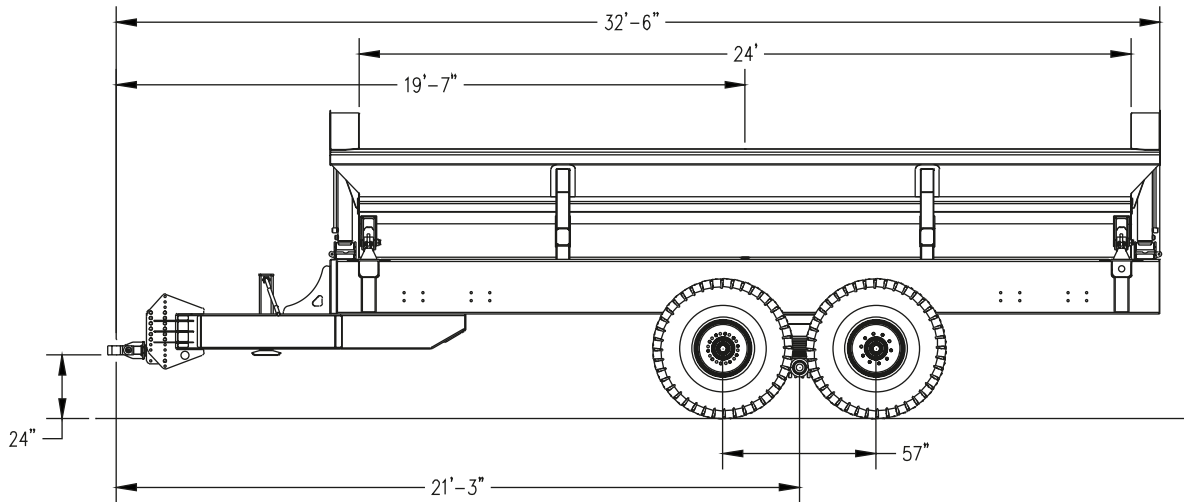
AG-PUP

Side Dump Trailers



- ◆ Stock Pile or Windrow
- ◆ Watertight, No Leaks
- ◆ Designed for the Agricultural Market
 - ◆ Animal Waste
 - ◆ Dirt & Sand
 - ◆ Demolition
 - ◆ Seasonal Grain Wagon
 - ◆ Silage
 - ◆ Unlimited Applications
- ◆ AR400 Steel Tubs
- ◆ 80/100 KSI T-1 Steel Frames
- ◆ 25K Axles
- ◆ Single Point Suspension
- ◆ Flotation Tires
- ◆ Low Loading Height





Model 2002 AG-PUP SmithCo Side-Dump Trailer

- Towing Eye:** Side Oscillating, 2" Drawbar Pin
- Safety Chains:** 1/2" Safety Chains w/Safety Hooks
- Frame Length:** 32' 11"
- Tub Length:** 24'
- Capacity:** 16 Cu Yd Waterfull
22 Cu Yd Heaping
- Tub Construction:** 1/4" Thick AR400 Steel (or equivalent)
Round Floor Style Tubs
- Hinges:** Self-Aligning, Spherical Bearing Type (greasable)
- Loading Height:** 90"
- Frame Construction:** 80/100 KSI (T-1), Fabricated Steel I-Beam
- Landing Gear:** High Clearance
- Cylinders:** 3500 PSI, 5" Bore
- Suspension:** Hutch H-900 60,000 lb Single Point
- Axles:** 25,000# Capacity
- Hubs:** 10 Hole, Hub Piloted
- Drums:** Outboard Mount, Cast Steel
- Wheels:** Tubeless, Steel Disc
- Tires:** 16:00 R 20 Tires (std)
600/55-22.5 Low Ground Pressure (optional)
- Lights:** 12 Volt ICC w/Sealed Harness
- Paint: Tub:** Black
- Paint: Frame:** Gray

Trailer is rated at 20 Ton Net Payload

Minimum Tractor Hydraulic Requirements:
25-30 GPM, 2500-2700 PSI, 10 Gallon Reservoir

Manufacturer reserves the right to modify designs, materials and specifications without notice.

SmithCo Mfg Co., Inc.

30902 C38, P.O. Box 932

Le Mars, IA 51031

Phone: 800-779-8099 or 712-546-4409

Fax: 712-546-6008

Web Site: www.sidedump.com

