



SX5-FIVE AXLE Side Dump Trailers

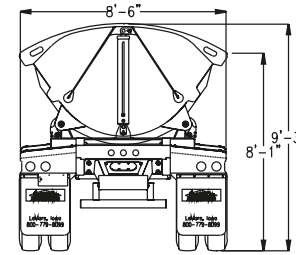
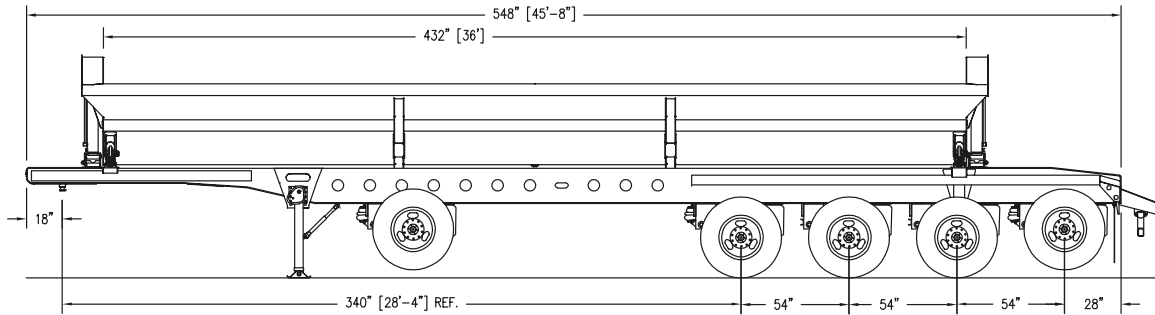
30902 C38 • PO Box 932
Le Mars, Iowa 51031

1-800-779-8099
www.sidedump.com



- ◆ Stock Pile or Windrow
- ◆ Watertight, No Leaks
- ◆ Dump Off of Either Side
- ◆ Low Load Height
- ◆ AR400 Steel Tub,
One Piece Floor
- ◆ 80/100 KSI Steel Frames
- ◆ Self-Aligning, Spherical
Bearing Hinges
- ◆ External Column Tub Supports
 - ◆ No Center Tub Divider
- ◆ Shot Blast Paint Prep
- ◆ Polyurethane Paint





SmithCo Mfg. Co., Inc.

30982 C38, P.O. Box 932

Le Mars, IA 51031

Phone: 800-779-8099 or

712-546-4409

Fax: 712-546-6008

Web Site: www.sidedump.com

Model SX5-4636 SmithCo Side-Dump Trailer

Frame Length: 45' 8"
Tub Length: 36'
Width: 102"
Height: 8' 2" @ Tub Side, 9' 4" @ Center
Tub Capacity: Round Bottom Tub, 24 Cubic Yard, Waterfull
 Round Bottom Tub 32 Cubic Yard, Full Capacity
Tub Construction: 1/4" Thick, AR400 Steel (or equivalent)
 3/16" Thick, AR400 Steel (or equivalent) is Optional
 External Column Supports, No Center Tub Divider

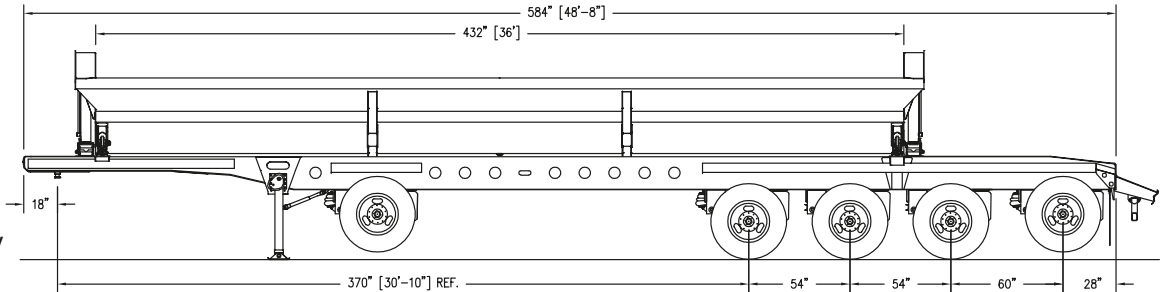
Frame Construction: 80/100 KSI, Fabricated Steel I-Beam
Kingpin: 2" Kingpin, 18" Setting, Replaceable Type
Landing Gear: High Clearance Two Speed, Non-Load Bearing
Bumper: Push Bar Type, Bolt-On
Cylinders: 3500 PSI, 5" bore
Hinges: Self-Aligning, Spherical Bearing Type (greasable)
Suspension: Air Ride, Eight Spring & others optional
Axles: (4) 25,000# capacity
 (1) 14K Air Ride/Lift/Steerable

Hubs: 10 Hole, Hub Piloted
ABS: 2S1M Anti-Lock Brake System
Drums: Outboard Mount, Cast Steel
Wheels: Steel Disc, 8.25 x 22.5 (18)
Tires: 11 R 22.5 G Radial Tires (18)
Brakes: 16 1/2" x 7"
Fenders: Front & Rear, 1/4" Synthetic, 7 Degree Slope
Lights: 12 Volt ICC w/Sealed Harness
Mud Flap: (2) Polyline Anti-Spray Splash
 Guard w/SmithCo name
Paint: Polyurethane, Any Combination of Gray, White or Black
 Special Colors available upon request

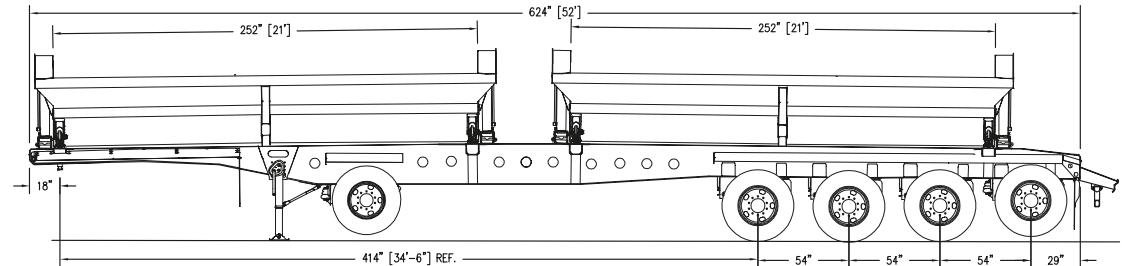
Minimum Tractor Hydraulic Requirements:

25-30 GPM, 2,200-2,400 PSI, 10 Gallon Reservoir

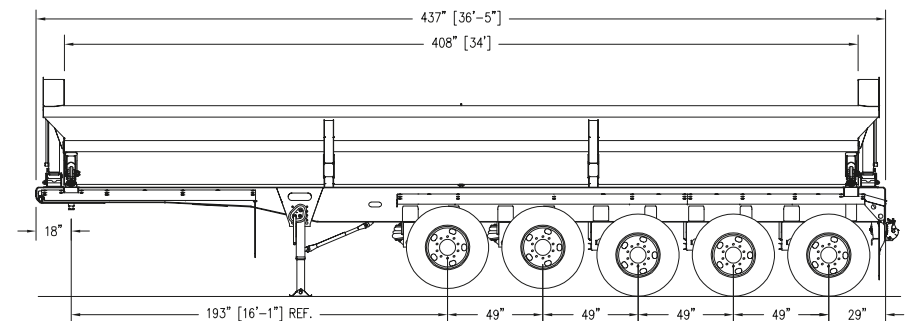
Manufacturer reserves the right to modify designs, materials and specifications without notice.



Model SX5-4936



Model SX5-5221DT



Model SX5-3734-L