



SX3-TRI AXLE Side Dump Trailers

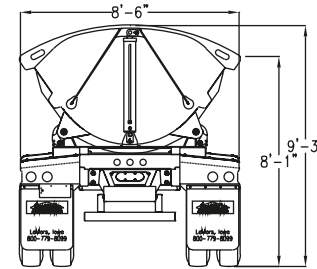
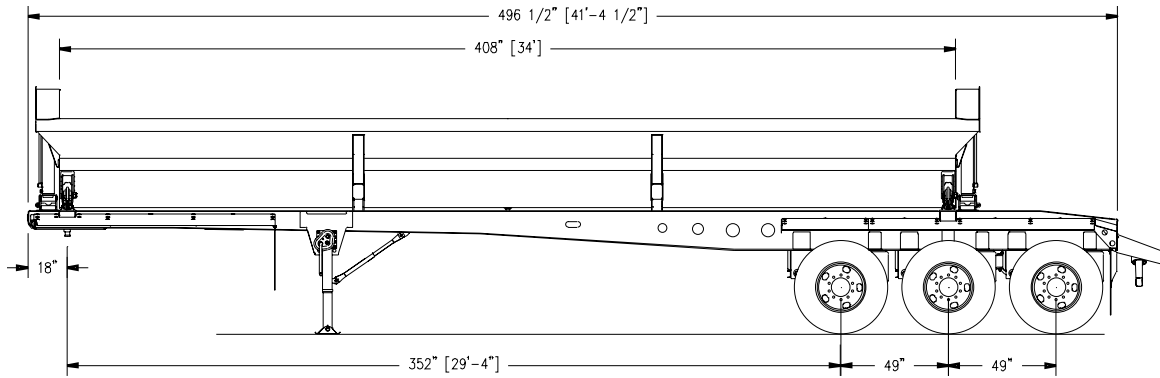
30902 C38 • PO Box 932
Le Mars, Iowa 51031

1-800-779-8099
www.sidedump.com



- ◆ Stock Pile or Windrow
- ◆ Watertight, No Leaks
- ◆ Dump Off of Either Side
- ◆ Low Load Height
- ◆ AR400 Steel Tub,
One Piece Floor
- ◆ 80/100 KSI Steel Frames
- ◆ Self-Aligning, Spherical
Bearing Hinges
- ◆ External Column Tub Supports
 - ◆ No Center Tub Divider
- ◆ Shot Blast Paint Prep
- ◆ Polyurethane Paint





SmithCo Mfg. Co., Inc.

30982 C38, P.O. Box 932

Le Mars, IA 51031

Phone: 800-779-8099 or

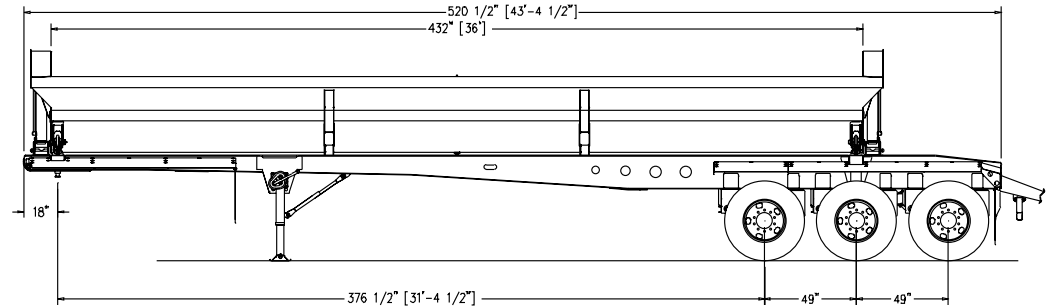
712-546-4409

Fax: 712-546-6008

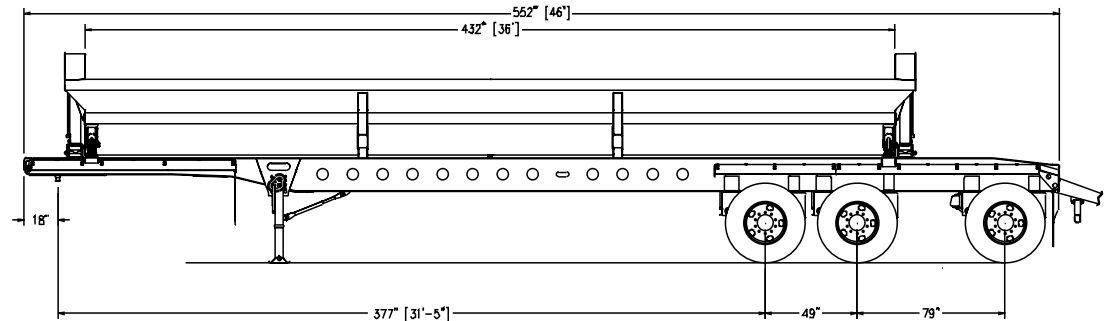
Web Site: www.sidedump.com

Model SX3-4234 SmithCo Side-Dump Trailer

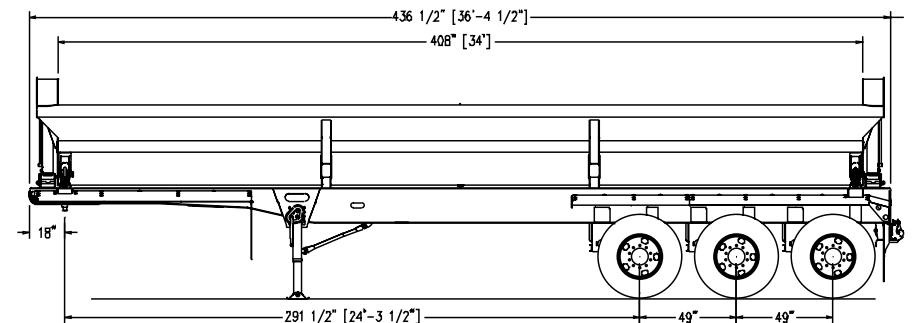
Frame Length:	41' 5"
Tub Length:	34'
Width:	102'
Height:	8' 2" @ Tub Side, 9' 4" @ Center
Tub Capacity:	Round Bottom Tub, 23 Cubic Yard, Waterfull Round Bottom Tub 31 Cubic Yard, Full Capacity
Tub Construction:	1/4" Thick, AR400 Steel (or equivalent) 3/16" Thick, AR400 Steel (or equivalent) is Optional External Column Supports, No Center Tub Divider
Frame Construction:	80/100 KSI, Fabricated Steel I-Beam
Kingpin:	2" Kingpin, 18" Setting, Replaceable Type
Landing Gear:	High Clearance Two Speed, Non-Load Bearing
Bumper:	Push Bar Type, Bolt-On
Cylinders:	3500 PSI, 5" bore
Hinges:	Self-Aligning, Spherical Bearing Type (greasable)
Suspension:	Air Ride, Six Spring & others optional
Axles:	(3) 25,000# capacity
Hubs:	10 Hole, Hub Piloted
ABS:	2S1M Anti-Lock Brake System
Drums:	Outboard Mount, Cast Steel
Wheels:	Steel Disc, 8.25 x 22.5 (12)
Tires:	11 R 22.5 G Radial Tires (12)
Brakes:	16 1/2" x 7"
Fenders:	Front & Rear, 1/4" Synthetic, 7 Degree Slope
Lights:	12 Volt ICC w/Sealed Harness
Mud Flap:	(2) Polyline Anti-Spray Splash Guard w/SmithCo name
Paint:	Polyurethane, Any Combination of Gray, White or Black Special Colors available upon request



Model SX3-4436



Model SX3-4636



Model SX3-3734

Minimum Tractor Hydraulic Requirements:

25-30 GPM, 2,200-2,400 PSI, 10 Gallon Reservoir

Manufacturer reserves the right to modify designs, materials and specifications without notice.