

# SmithCo Mfg Co., Inc.

30902 C38, P.O. Box 932

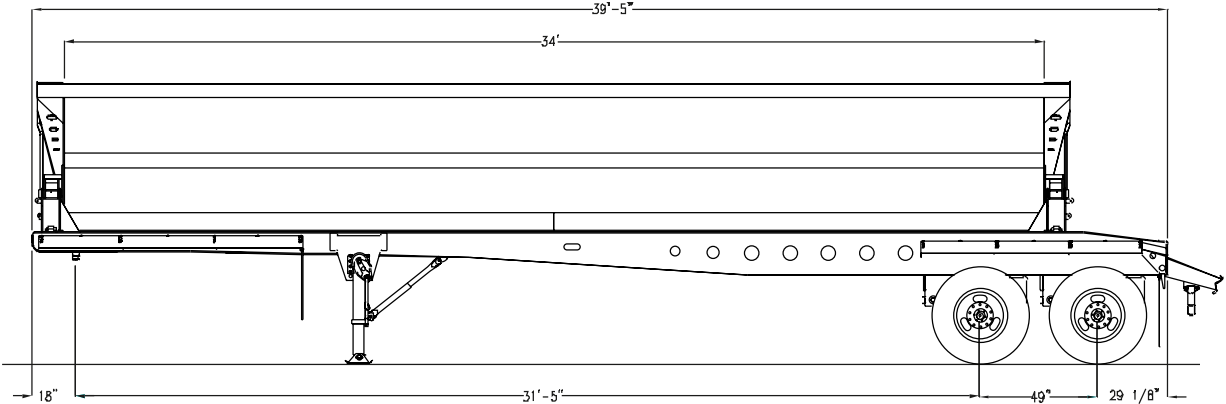
Le Mars, IA 51031

Phone: 800-779-8099 or 712-546-4409

Fax: 712-546-6008

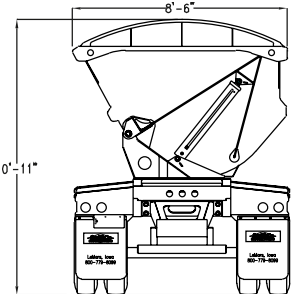
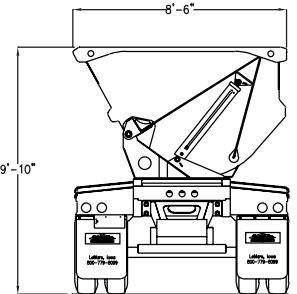
Web Site: [www.sidedump.com](http://www.sidedump.com)

**Minimum Tractor Hydraulic Requirements:**  
25-30 GPM, 2200-2400 PSI, 10 Gallon Reservoir

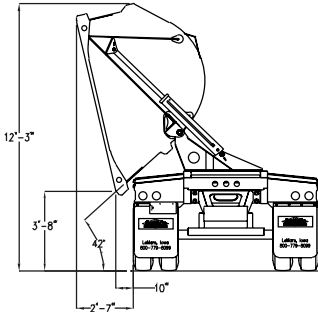
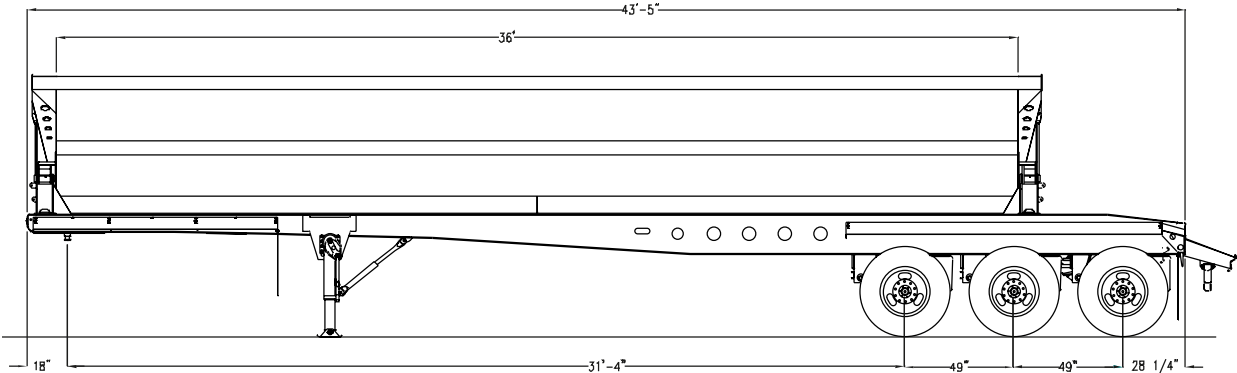


## Model S2 SHV\* SmithCo Side-Dump Trailer

<b>Frame Length:</b>	39' 5"	S2-4034 SHV	<b>Suspension:</b>	Air Ride Suspension	S2 SHV
	43' 4"	S3-4436 SHV		Six Spring	S3 SHV
<b>Tub Length:</b>	34'	S2-4034 SHV	<b>Axes:</b>	25,000# Capacity	
	36'	S3-4436 SHV	<b>Hubs:</b>	10 Hole, Hub Piloted	
<b>Capacity:</b>	38 Cu Yd Waterfull	S2-4034 SHV	<b>ABS:</b>	2S1M Anti-Lock Brake System	
	40 Cu Yd Waterfull	S3-4436 SHV	<b>Drums:</b>	Outboard Mount, Cast Steel	
<b>Tub Construction:</b>	3/16" Thick, T-1 Steel Floor		<b>Wheels:</b>	Steel Disc, 8.25 x 22.5	
	1/8" Thick, 80 ksi Steel Sides		<b>Tires:</b>	11 R 22.5 G Radial Tires	
<b>Frame Construction:</b>	80/100 KSI (T-1), Fabricated Steel I-Beam		<b>Brakes:</b>	16 1/2" x 7"	
<b>Landing Gear</b>	Two Speed, Non-Load Bearing		<b>Fenders:</b>	Front & Rear, 1/4" Synthetic	
<b>Bumper:</b>	Push Bar Type, Bolt-On		<b>Lights:</b>	12 Volt ICC w/Sealed Harness	
<b>Cylinders:</b>	3500 PSI, 5" Bore		<b>Mud Flaps:</b>	(4) Polyline Anti-Spray Splash Guard	
			<b>Paint: Tub:</b>	SmithCo White	
			<b>Paint: Frame:</b>	SmithCo Gray	



## Model S3 SHV\* SmithCo Side-Dump Trailer



\*Other Axle Configurations Are Available

<b>Weight Estimate:</b>	14,100 lbs (+/-3%)	S2 SHV
	16,200 lbs (+/-3%)	S3 SHV