



30902 C38 • PO Box 932
Le Mars, Iowa 51031

1-800-779-8099
www.sidedump.com

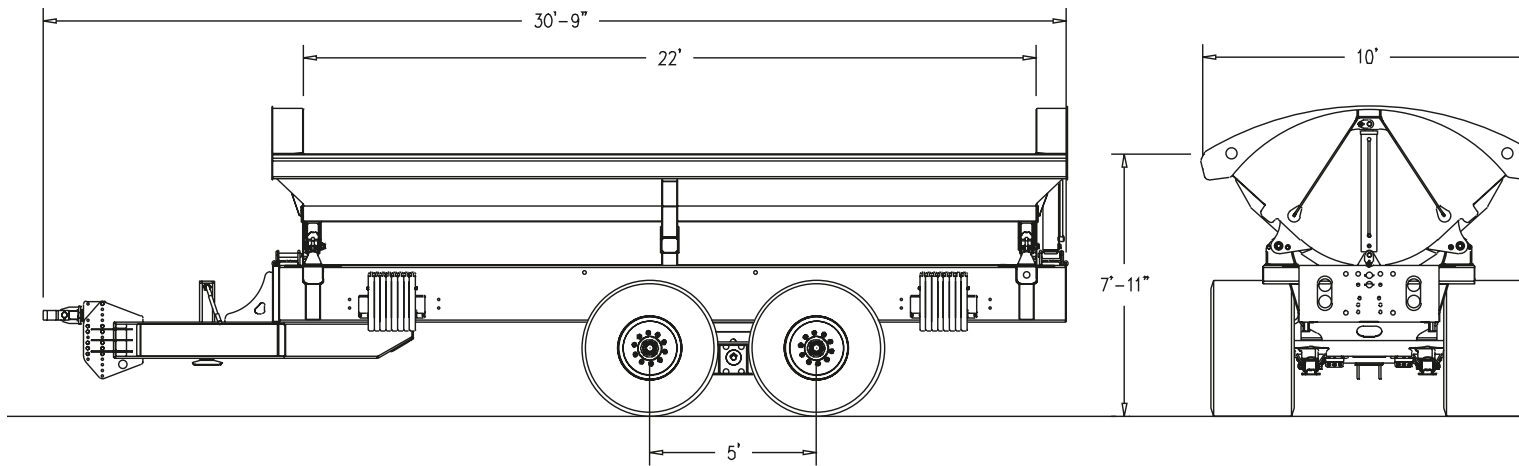
CP30

Side Dump Trailers



- ◆ Stock Pile or Windrow
- ◆ Watertight, No Leaks
- ◆ Dump Off of Either Side
- ◆ 30 Ton Capacity
- ◆ Low Load Height
- ◆ Steel Tubs AR400
- ◆ 80/100 KSI Steel Frames
- ◆ 30 K Axles
- ◆ Single Point Suspension
- ◆ Flotation Tires
- ◆ Low Loading Height





SmithCo Mfg. Co., Inc.

30982 C38, P.O. Box 932
 Le Mars, IA 51031
 Phone: 800-779-8099 or
 712-546-4409
 Fax: 712-546-6008
 Web Site: www.sidedump.com

Model CP30 SmithCo Side-Dump Trailer

Towing Eye:	Side Oscillating, 2" Drawbar Pin	Frame Construction:	80/100 KSI (T-a), Fabricated Steel I-Beam
Safety Chains:	1/2" Safety Chains w/ Safety Hooks	Landing Gear:	High Clearance
Frame Length:	30' 9"	Cylinders:	3500 PSI, 5" Bore
Tub Length:	22'	Suspension:	90,000 lb. Single Point
Width:	10' (120")	Axes:	30,000 Capacity
Capacity:	17.5 Cu Yd Waterfull 25 Cu Yd Heaping	Hubs:	10 Hole, Hub Piloted
Tub Construction:	1/4" Thick, Steel (or equivalent) AR 400 Round Floor Style Tub	Drums:	Outboard Mount, Cast Steel
Hinges:	Self-Aligning, Spherical Bearing Type (greasable)	Wheels:	Tubeless, Steel Disc
Loading Height:	90"	Tires:	750/45 R 22.5 LGP (std)
		Lights:	12 Volt ICC w/Sealed Harness
		Paint: Tub:	SmithCo Yellow
		Paint: Frame:	SmithCo Black

Minimum Tractor Hydraulic Requirements:

25-30 GPM, 2,200-2,400 PSI, 10 Gallon Reservoir

Manufacturer reserves the right to modify designs, materials and specifications without notice.